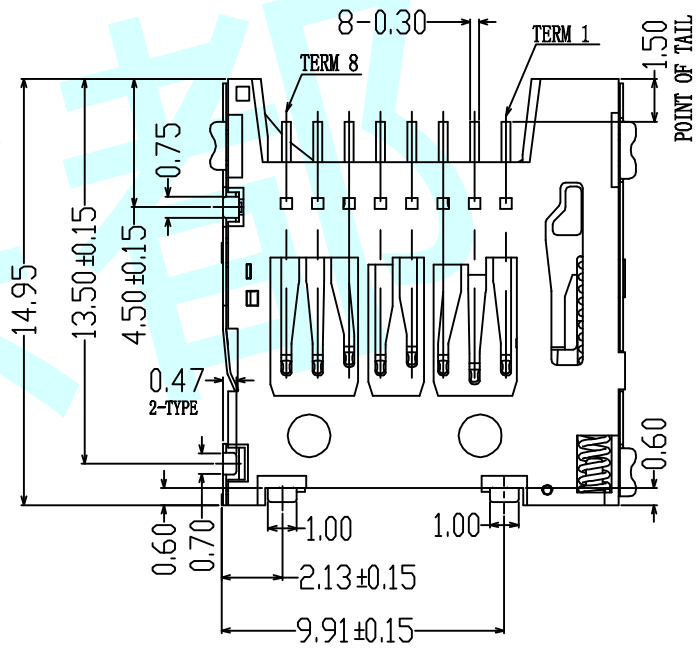
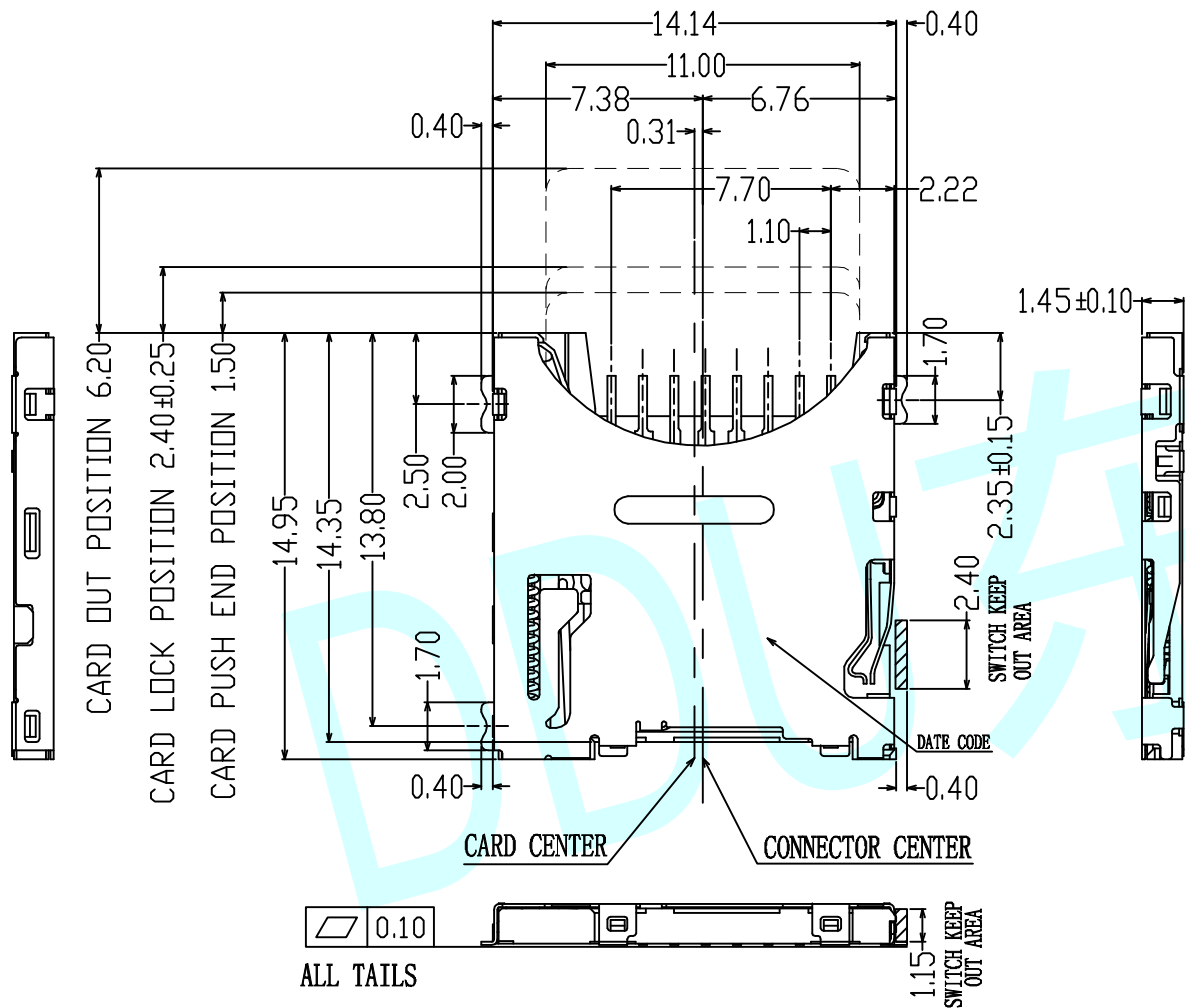
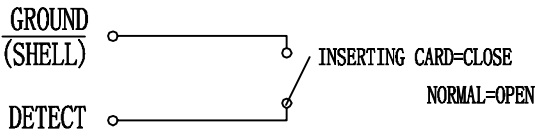



ROHS



TERM 1	DATA 2
TERM 2	CD/DATA 3
TERM 3	CMD
TERM 4	VDD
TERM 5	CLK
TERM 6	VSS
TERM 7	DATA 0
TERM 8	DATA 1

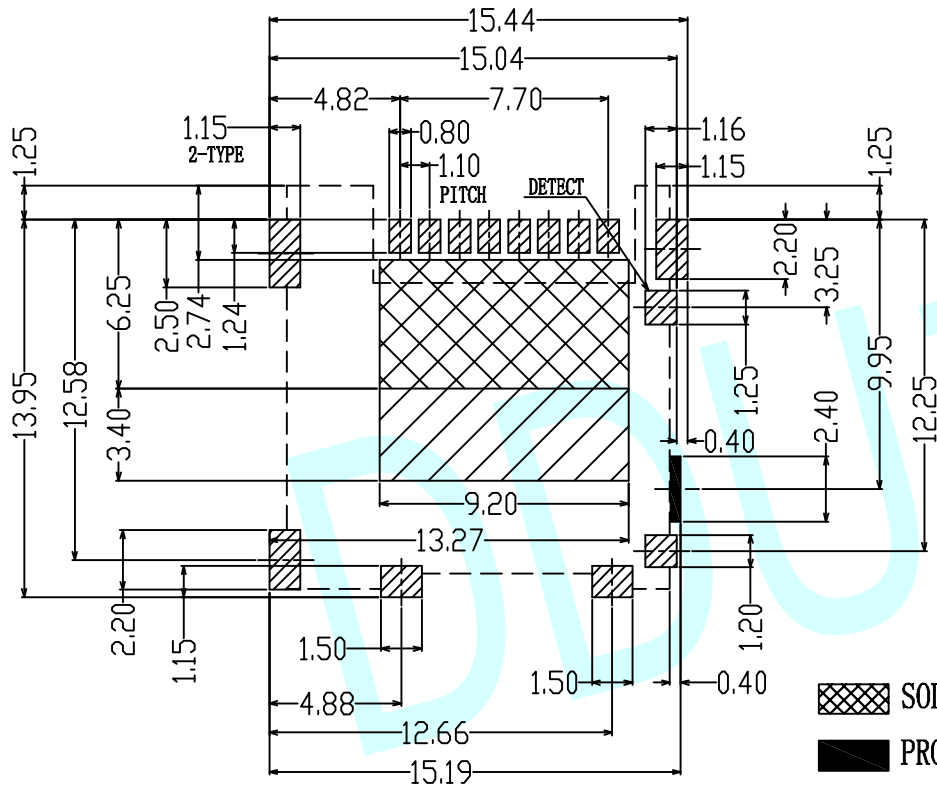


APPROVALS		DATE	http://www.dongdudz.com	
DRAW:	ZRD	2017-12-6	TOLERANCE:	ANGLE:
CHECKED:	***	****	30° ±0.30	±2°
APPOVALS:	***	****	10°30' ±0.20	
			5°10' ±0.15	
			≤5 ±0.10	

 **东都电子**
DONGDU ELECTRONICS

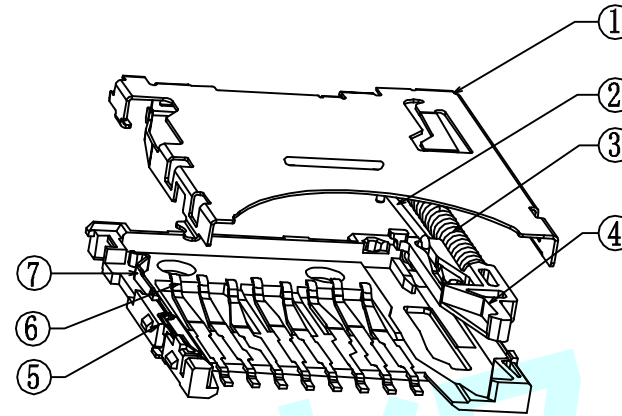
MODL:	CASSETTE
PART NO:	TP-010
UNIT :mm	SCALE:1:1
REV:	A

ROHS



RECOMMENDED
PCB PATTERN LAYOUT (TOP VIEW)
TOLERANCE: ± 0.05

- SOLDER PROHIBITED AREA
- PROHIBITED AREA
- PATTERN PROHIBITED AREA



NOTES:

- A. COPLANARTY SPEC. FOR ALL SOLDER TAILS AND SOLDER PADS IS 0.1mm MAX
- B. ELECTRICAL CHARACTERISTICS:
 1. CURRENT RATING: 0.5A MAX
 2. VOLTAGE: 100V DC MAX
 3. LOW LEVEL CONTACT RESISTANCE: 100mΩ MAX. INITIALLY
 4. DIELECTRIC WITHSTANDING VOLTAGE: 500V AC MIN FOR 1 MINUTE
 5. INSULATION RESISTANCE: (INITIAL) 1000MΩ MIN. (FINAL) 100MΩ MIN, BY APPLYING 500V DC ON MATED AND UNMATED CONNECTORS THROUGH
- C. MECHANICAL CHARACTERISTICS:
 1. DURABILITY: 5000 CYCLES
 2. OPERATING TEMP RANGE: $-25^{\circ}\text{C} \sim +85^{\circ}\text{C}$ INCLUDING TERMINAL TEMP RISE
 3. STORAGE TEMP: $-40^{\circ}\text{C} \sim +85^{\circ}\text{C}$

NO.	PART NAME	Q' TY	DESCRIPTION
7	DETECT	1	COPPER ALLOY GOLD PLATING
6	TERMINAL	1	COPPER ALLOY GOLD PLATING
5	HOUSING	1	THERMAL PLASTIC
4	SLIDER	1	THERMAL PLASTIC
3	SPRING	1	SUS
2	CAM FOLLOWER	1	SUS
1	SHELL	1	SUS Ni PLATING

APPROVALS		DATE	http://www.dongdudz.com		东都电子 DONGDU ELECTRONICS
DRAW:	ZRD	2017-12-6	TOLERANCE:	ANGLE:	
CHECKED:	***	****	30 \geq	± 0.30	$\pm 2^{\circ}$
APPOVALS:	***	****	10 \sim 30	± 0.20	
			5 \sim 10	± 0.15	
			≤ 5	± 0.10	
MODL:	CASSETTE				
PART NO:	TF-010				
UNIT :mm	SCALE: 1:1				
REV:	A	PAGE: 2/2			