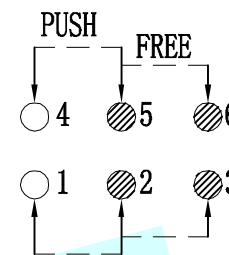
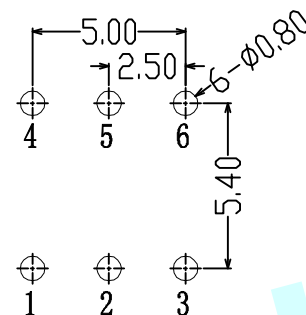
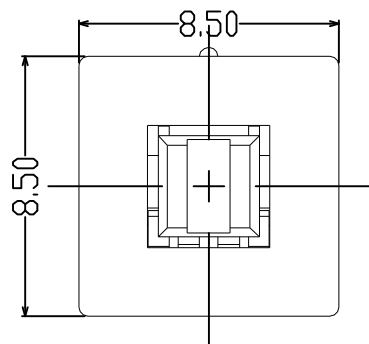
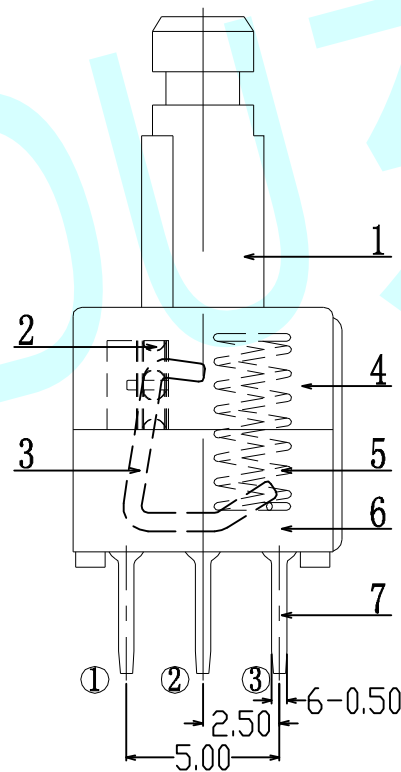
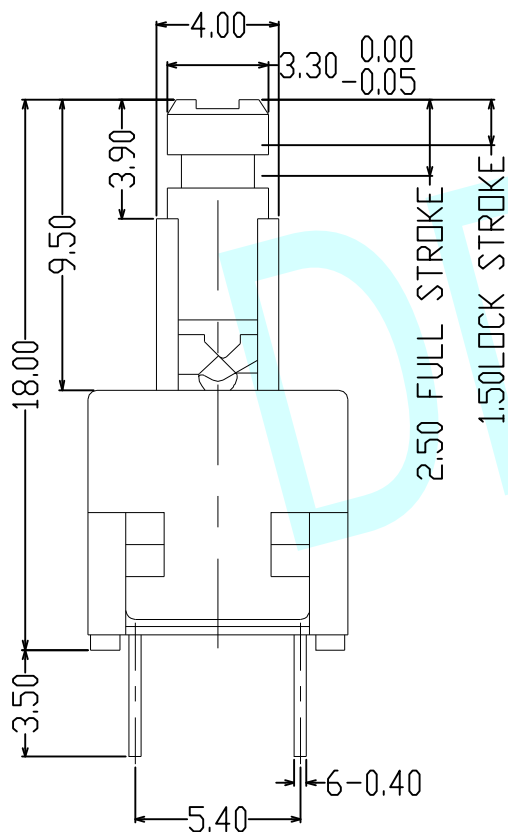


ROHS



PCB LAYOUT

SCHEMATIC



7	TERMINAL	C2680R-EH	6	Ag PLATED
6	CASE	PBT	1	BLACK
5	SPRING	SUS	1	NATURAL
4	COVER	POM	1	BLACK
3	CAM STICK	SUS	1	NATURAL
2	CONTACT	C5210R-EH	2	Ag CLAD
1	KNOB	POM	1	WHITE
No.	PART NAME	MATERIAL	Q' TY	FINISHING

APPROVALS		DATE	http://www.dongdudz.com	
DRAW:	ZRD	2017-12-6	TOLERANCE:	ANGLE:
CHECKED:	***	***	30°	±0.30
APPOVALS:	***	***	10°30	±0.20
			5°10	±0.15
			≤5	±0.10



MODEL:	PUSHBUTTON SWITCHES	
PART NO:	DDU-1322-H18	
UNIT :mm	SCALE:1:1	
REV:	A	PAGE:1/1