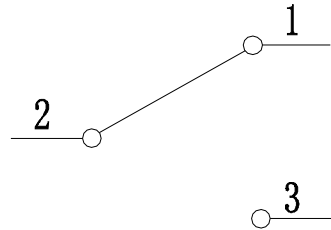
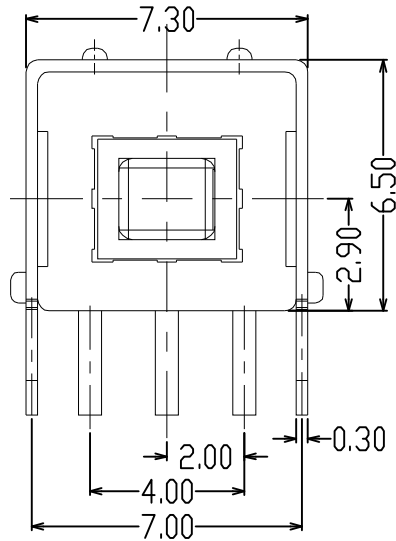


**ROHS**



**SCHEMATIC (NON-SHORTING)**

**NOTES:**

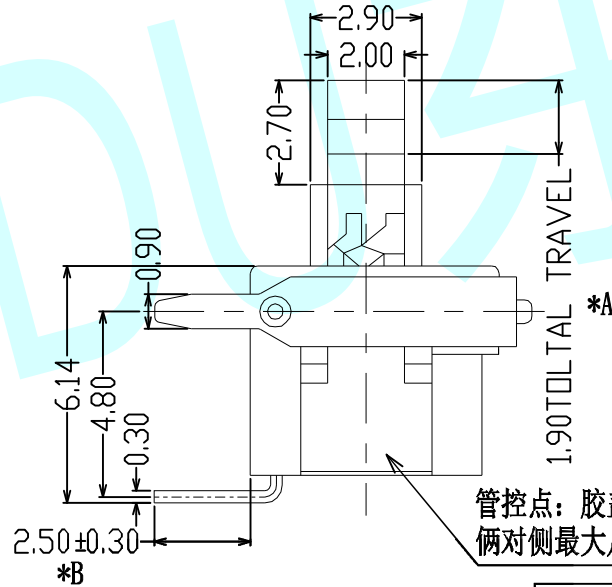
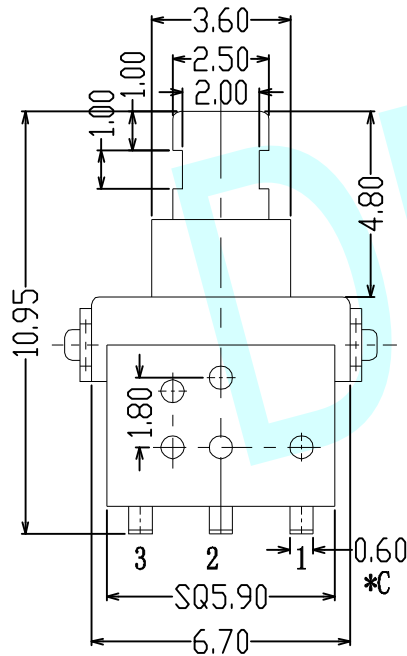
**A. Electrical characteristics:**

- 1. Rating: DC 30V 0.1A
- 2. Contact resistance: 100mΩ max
- 3. Insulation resistance: 100MΩ min
- 4. Dielectric strength: AC 250V (50~60Hz)/60S

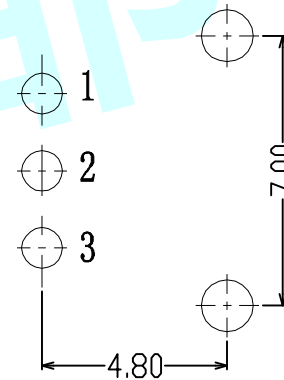
**B. Mechanical characteristics:**

- 1. Practical temperature range: -40°C~+85°C
- 2. Operating force: 200±50gf
- 3. Mechanical life: 10,000 cycles


注"\*"表示关键尺寸 (4个)



管控点: 胶盖扣合有缝, 胶盖  
俩对侧最大尺寸不能超过5.95mm



**PCB LAYOUT**

<b>APPROVALS</b>		<b>DATE</b>	<a href="http://www.dongdudz.com">http://www.dongdudz.com</a>		 <b>® 东都电子</b> DONGDU ELECTRONICS
<b>DRAW:</b>	ZRD	2017-12-6	<b>TOLERANCE:</b>	<b>ANGLE:</b>	
<b>CHECKED:</b>	***	***	30≥	±0.30	
<b>APPOVALS:</b>	***	***	10~30	±0.20	
			5~10	±0.15	
			≤5	±0.10	±2°
<b>MODL:</b>	PUSHBUTTON SWITCHES				
<b>PART NO:</b>	DDU-1385				
<b>UNIT :mm</b>	SCALE: 1:1				
<b>REV:</b>	A				PAGE: 1/1